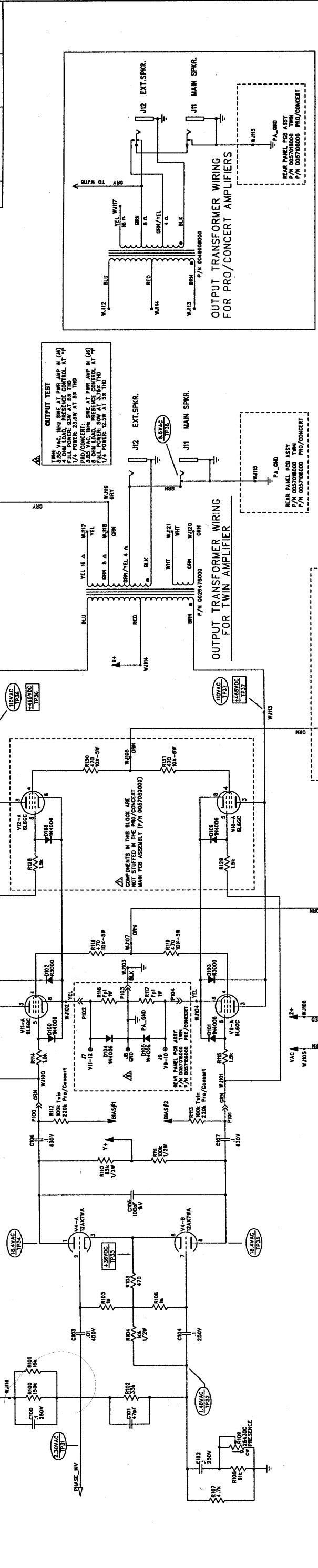
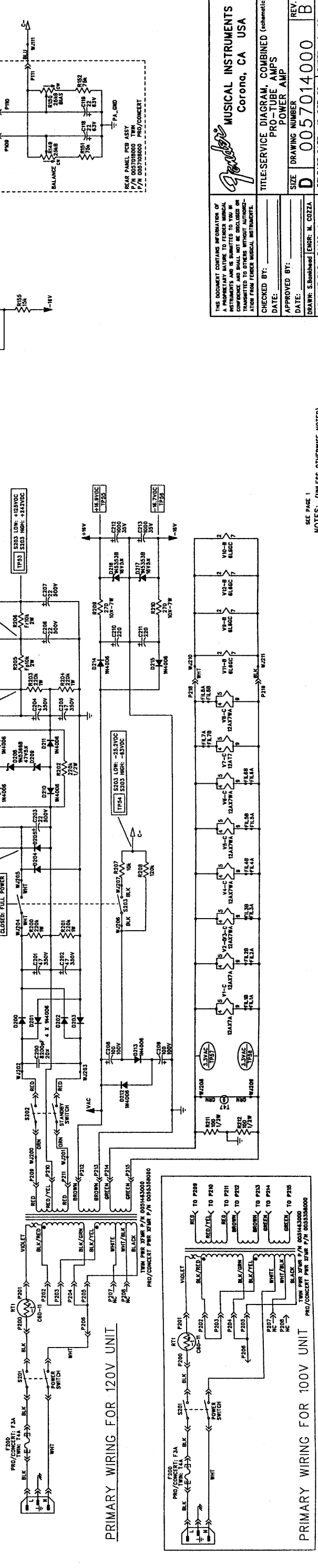
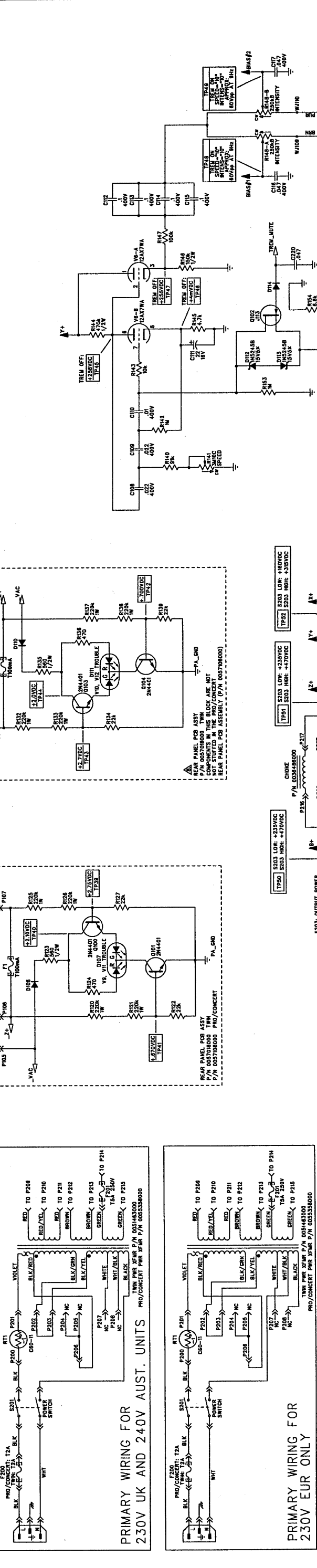


REV.	DESCRIPTION	DATE	APPROVED
A	PR448	16-OCT-00	S.M.B.
B	EC 2606	23-FEB-01	S.M.B.



OUTPUT TEST
 TWIN: 1/2 VAC. RMS SINE AT PWR AMP IN (A)
 FULL POWER: 2.5W AT 5% THD
 1/4 POWER: 0.6W AT 5% THD
 PRO/CONCERT: 1/2 VAC. RMS SINE AT PWR AMP IN (A)
 FULL POWER: 12.5W AT 5% THD
 1/4 POWER: 3.1W AT 5% THD



THE DOCUMENT CONTAINS INFORMATION OF CONFIDENTIAL OR PROPRIETARY NATURE AND IS LOANED TO YOU BY THE INSTRUMENTS DIVISION OF CORONA ELECTRONIC CORPORATION. IT IS NOT TO BE REPRODUCED, COPIED, TRANSMITTED TO OTHERS WITHOUT AUTHORIZATION FROM FENDER MUSICAL INSTRUMENTS.

CHECKED BY: _____
 DATE: _____

APPROVED BY: _____
 DATE: _____

DATEBASE FILE: 24485.rch

FENDER MUSICAL INSTRUMENTS
 Corona, CA USA

TITLE: SERVICE DIAGRAM, COMBINED (continued)
 PRO-TUBE AMPS
 POWER AMP

REV. B
 DRAWING NUMBER: D 005701400
 RELEASE DATE: 18-OCT-00 SHEET: 2 OF 4

NOTES: (UNLESS OTHERWISE NOTED)

REVISIONS			
REV.	DESCRIPTION	DATE	APPROVED
A	PR44B	16-OCT-00	S.M.B.
B	EC 2606	23-FEB-01	S.M.B.

PART NUMBER	DESCRIPTION
0057052000	PCB ASSY PRO/CONCERT REVERSE MAIN
0057016000	PCB ASSY TWIN-AMP MAIN

MUSICAL INSTRUMENTS
Corona, CA USA

TITLE: SERVICE DIAGRAM, COMBINED (PCB assy)
PRO-TUBE AMPS
MAIN PCB

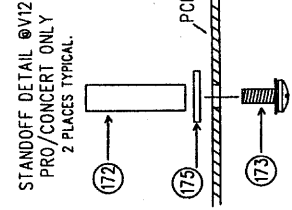
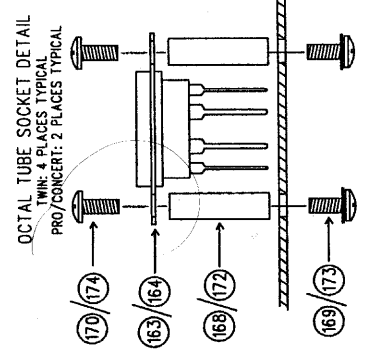
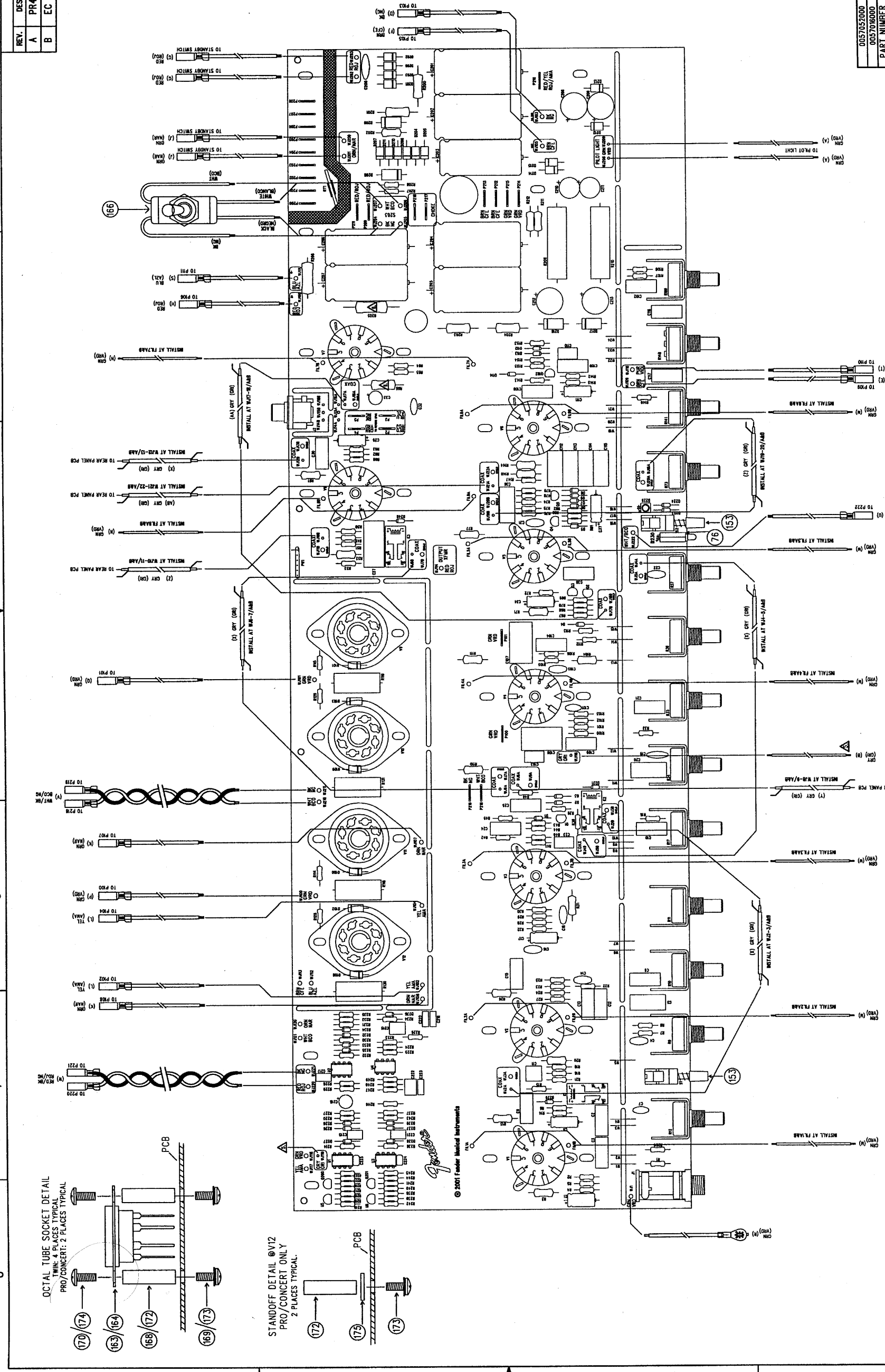
CHECKED BY: _____
DATE: _____
APPROVED BY: _____
DATE: _____
DRAWING NUMBER: _____
SHEET 3 OF 4

THIS DOCUMENT CONTAINS INFORMATION OF A PROPRIETARY NATURE TO FENDER MUSICAL INSTRUMENTS AND SHALL NOT BE REPRODUCED, TRANSMITTED TO OTHERS WITHOUT AUTHORIZATION FROM FENDER MUSICAL INSTRUMENTS.

USE AND THIS CASE MUST BE MAILED AT LEAST 3mm
MINIMUM CLEARANCE FROM THE CASE WALLS.
WIRETS SHOULD BE TERMINATED AS FOLLOWS:
IN PCB ASSY, AND TERMINALS TO WIRE
IN PCB ASSY, AND TERMINALS TO EXT. SPIN ON TYP
THE FOLLOWING ITEMS ARE NOT STATED IN PRO/CONCERT ASSY:
1. SET-POINT SWITCHES & TERMINALS FOR BASS
2. LETTERS IN BRACKETS () REFER TO PCB WIRETS.
3. WIRETS NOT STATED IN PRO/CONCERT ASSY.
4. WIRETS NOT STATED IN PRO/CONCERT ASSY.
5. WIRETS NOT STATED IN PRO/CONCERT ASSY.
6. WIRETS NOT STATED IN PRO/CONCERT ASSY.
7. WIRETS NOT STATED IN PRO/CONCERT ASSY.
8. WIRETS NOT STATED IN PRO/CONCERT ASSY.
9. WIRETS NOT STATED IN PRO/CONCERT ASSY.
10. WIRETS NOT STATED IN PRO/CONCERT ASSY.
11. WIRETS NOT STATED IN PRO/CONCERT ASSY.
12. WIRETS NOT STATED IN PRO/CONCERT ASSY.
13. WIRETS NOT STATED IN PRO/CONCERT ASSY.
14. WIRETS NOT STATED IN PRO/CONCERT ASSY.
15. WIRETS NOT STATED IN PRO/CONCERT ASSY.
16. WIRETS NOT STATED IN PRO/CONCERT ASSY.
17. WIRETS NOT STATED IN PRO/CONCERT ASSY.
18. WIRETS NOT STATED IN PRO/CONCERT ASSY.
19. WIRETS NOT STATED IN PRO/CONCERT ASSY.
20. WIRETS NOT STATED IN PRO/CONCERT ASSY.
21. WIRETS NOT STATED IN PRO/CONCERT ASSY.
22. WIRETS NOT STATED IN PRO/CONCERT ASSY.
23. WIRETS NOT STATED IN PRO/CONCERT ASSY.
24. WIRETS NOT STATED IN PRO/CONCERT ASSY.
25. WIRETS NOT STATED IN PRO/CONCERT ASSY.
26. WIRETS NOT STATED IN PRO/CONCERT ASSY.
27. WIRETS NOT STATED IN PRO/CONCERT ASSY.
28. WIRETS NOT STATED IN PRO/CONCERT ASSY.
29. WIRETS NOT STATED IN PRO/CONCERT ASSY.
30. WIRETS NOT STATED IN PRO/CONCERT ASSY.
31. WIRETS NOT STATED IN PRO/CONCERT ASSY.
32. WIRETS NOT STATED IN PRO/CONCERT ASSY.
33. WIRETS NOT STATED IN PRO/CONCERT ASSY.
34. WIRETS NOT STATED IN PRO/CONCERT ASSY.
35. WIRETS NOT STATED IN PRO/CONCERT ASSY.
36. WIRETS NOT STATED IN PRO/CONCERT ASSY.
37. WIRETS NOT STATED IN PRO/CONCERT ASSY.
38. WIRETS NOT STATED IN PRO/CONCERT ASSY.
39. WIRETS NOT STATED IN PRO/CONCERT ASSY.
40. WIRETS NOT STATED IN PRO/CONCERT ASSY.
41. WIRETS NOT STATED IN PRO/CONCERT ASSY.
42. WIRETS NOT STATED IN PRO/CONCERT ASSY.
43. WIRETS NOT STATED IN PRO/CONCERT ASSY.
44. WIRETS NOT STATED IN PRO/CONCERT ASSY.
45. WIRETS NOT STATED IN PRO/CONCERT ASSY.
46. WIRETS NOT STATED IN PRO/CONCERT ASSY.
47. WIRETS NOT STATED IN PRO/CONCERT ASSY.
48. WIRETS NOT STATED IN PRO/CONCERT ASSY.
49. WIRETS NOT STATED IN PRO/CONCERT ASSY.
50. WIRETS NOT STATED IN PRO/CONCERT ASSY.
51. WIRETS NOT STATED IN PRO/CONCERT ASSY.
52. WIRETS NOT STATED IN PRO/CONCERT ASSY.
53. WIRETS NOT STATED IN PRO/CONCERT ASSY.
54. WIRETS NOT STATED IN PRO/CONCERT ASSY.
55. WIRETS NOT STATED IN PRO/CONCERT ASSY.
56. WIRETS NOT STATED IN PRO/CONCERT ASSY.
57. WIRETS NOT STATED IN PRO/CONCERT ASSY.
58. WIRETS NOT STATED IN PRO/CONCERT ASSY.
59. WIRETS NOT STATED IN PRO/CONCERT ASSY.
60. WIRETS NOT STATED IN PRO/CONCERT ASSY.
61. WIRETS NOT STATED IN PRO/CONCERT ASSY.
62. WIRETS NOT STATED IN PRO/CONCERT ASSY.
63. WIRETS NOT STATED IN PRO/CONCERT ASSY.
64. WIRETS NOT STATED IN PRO/CONCERT ASSY.
65. WIRETS NOT STATED IN PRO/CONCERT ASSY.
66. WIRETS NOT STATED IN PRO/CONCERT ASSY.
67. WIRETS NOT STATED IN PRO/CONCERT ASSY.
68. WIRETS NOT STATED IN PRO/CONCERT ASSY.
69. WIRETS NOT STATED IN PRO/CONCERT ASSY.
70. WIRETS NOT STATED IN PRO/CONCERT ASSY.
71. WIRETS NOT STATED IN PRO/CONCERT ASSY.
72. WIRETS NOT STATED IN PRO/CONCERT ASSY.
73. WIRETS NOT STATED IN PRO/CONCERT ASSY.
74. WIRETS NOT STATED IN PRO/CONCERT ASSY.
75. WIRETS NOT STATED IN PRO/CONCERT ASSY.
76. WIRETS NOT STATED IN PRO/CONCERT ASSY.
77. WIRETS NOT STATED IN PRO/CONCERT ASSY.
78. WIRETS NOT STATED IN PRO/CONCERT ASSY.
79. WIRETS NOT STATED IN PRO/CONCERT ASSY.
80. WIRETS NOT STATED IN PRO/CONCERT ASSY.
81. WIRETS NOT STATED IN PRO/CONCERT ASSY.
82. WIRETS NOT STATED IN PRO/CONCERT ASSY.
83. WIRETS NOT STATED IN PRO/CONCERT ASSY.
84. WIRETS NOT STATED IN PRO/CONCERT ASSY.
85. WIRETS NOT STATED IN PRO/CONCERT ASSY.
86. WIRETS NOT STATED IN PRO/CONCERT ASSY.
87. WIRETS NOT STATED IN PRO/CONCERT ASSY.
88. WIRETS NOT STATED IN PRO/CONCERT ASSY.
89. WIRETS NOT STATED IN PRO/CONCERT ASSY.
90. WIRETS NOT STATED IN PRO/CONCERT ASSY.
91. WIRETS NOT STATED IN PRO/CONCERT ASSY.
92. WIRETS NOT STATED IN PRO/CONCERT ASSY.
93. WIRETS NOT STATED IN PRO/CONCERT ASSY.
94. WIRETS NOT STATED IN PRO/CONCERT ASSY.
95. WIRETS NOT STATED IN PRO/CONCERT ASSY.
96. WIRETS NOT STATED IN PRO/CONCERT ASSY.
97. WIRETS NOT STATED IN PRO/CONCERT ASSY.
98. WIRETS NOT STATED IN PRO/CONCERT ASSY.
99. WIRETS NOT STATED IN PRO/CONCERT ASSY.
100. WIRETS NOT STATED IN PRO/CONCERT ASSY.

FILE NAME: PCB ASSEMBLY DRAWING
DATABASE: 24481P.CSB DATE: 23-FEB-01

DETAIL FOR R66 & R205
3mm minimum

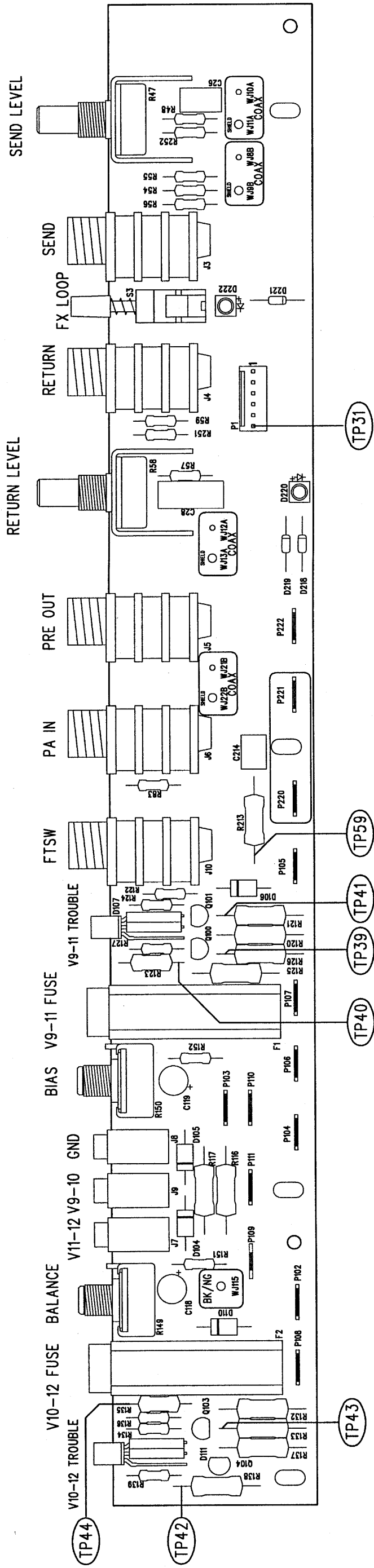


1
2
3
4
5
6
7
8

D
C
B
A

REVISIONS

REV.	DESCRIPTION	DATE	APPROVED
A	PR 448	16-OCT-00	S.M.B.
B	EC 2606	23-FEB-01	S.M.B.



FILM/DWG: SERVICE DIAGRAM
 DATABASE: Z448P2.PCB DATE: 16-OCT-00

2. SEE PAGE 1 FOR NOTES AND TEST CONDITIONS
 1. WIRES NOT SHOWN FOR CLARITY
 NOTES: (UNLESS OTHERWISE NOTED)

THIS DOCUMENT CONTAINS INFORMATION OF A PROPRIETARY NATURE TO FENDER MUSICAL INSTRUMENTS AND IS SUBMITTED TO YOU IN CONFIDENCE AND SHALL NOT BE DISCLOSED OR TRANSMITTED TO OTHERS WITHOUT AUTHORIZATION FROM FENDER MUSICAL INSTRUMENTS.

CHECKED BY: _____
 DATE: _____
 APPROVED BY: _____
 DATE: _____
 DRAWN: S.Bankhead ENGR: S.Bankhead
 DATABASE FILE: Z448P2.PCB

Fender
 MUSICAL INSTRUMENTS
 Corona, CA U.S.A.

TITLE: SERVICE DIAGRAM, COMBINED (PCB assy)
 PRO-TUBE AMPS
 REAR PANEL PCB

SIZE: B DRAWING NUMBER: 0057014000 REV. B
 RELEASE DATE: 16-OCT-00 SHEET 4 OF 4